


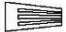






PARTS & ASSEMBLY SHEET

Fixture Name: ATHENA 3071- WSC GG

This fixture assembled PO: _____ Date: _____

Notice: Please review the parts listing and check for all parts before assembling the fixture. If any parts are missing or damaged, please note on this sheet and contact the place of purchase to arrange for replacement parts.

PARTS LIST		Company Name: _____ Co. Account #: _____ below to be filled out by retailer	
Mounting strap 1ea 102X320mm 	Mounting Screw 2ea 8/32"X5/8"mm 	Mounting screw 2ea 8/32X1" 	
Wire connector 3ea P3 Orange 	Green Ground screw 1ea 8/32"X10mm 	Nipple 1ea 3/8"X40mm 	
Part Needed 	Finial 	18*12MM	Quantity
Part Needed			Quantity
Reason why	(missing, scratched, broken glass, bent, bad finish)		
Comments			

FIXTURE ASSEMBLY INSTRUCTIONS

Read and review installation instruction sheet before assembling the fixture.

PLEASE NOTE:

The twisted candles are preassembled onto the fixture body.

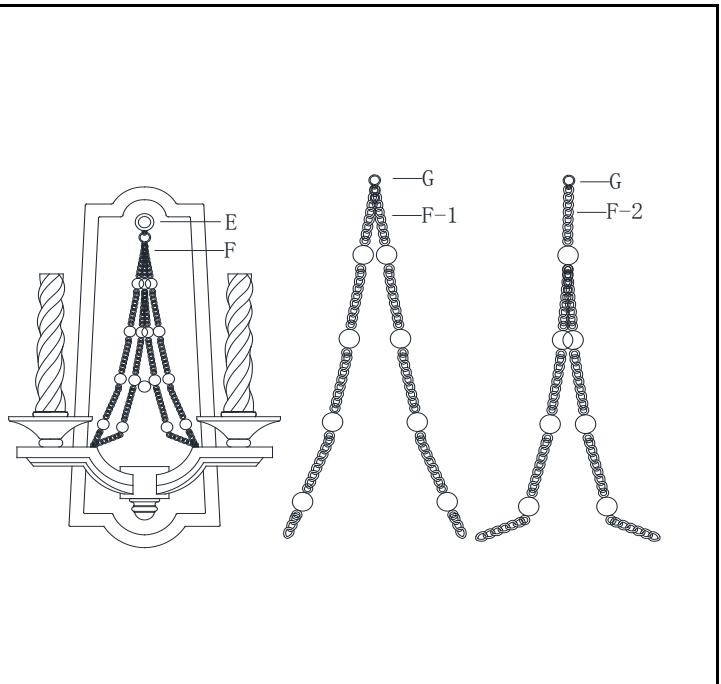
1. Attach and hang Decorative Chains (F-1 & F-2) into hook (E). 2.

Install the light bulb in accordance with the fixture's specification.

(DO NOT EXCEED THE MAXIMUM WATTAGE RATING!)

NOTE: INSTALL THE GLASS ASSEMBLY AFTER THE FIXTURE IS HUNG.

3071-WSC GG



For Customer Service, contact the place of purchase to arrange for replacement parts.



INSTALLATION INSTRUCTIONS

Fixture Name: ATHENA 3071-WSC GG

For Wall Mount Light Fixture

WARNING ! SHUT OFF POWER AT FUSE OR CIRCUIT BREAKER.

HANGING THE FIXTURE (Fig. 1)

1. Carefully remove the new fixture from the carton and the yellow bag that holds all of your parts. Check that all parts are included as shown in the illustrations and on the Parts and Assembly Sheet.

2. Shut off the power supply at the circuit breaker and remove the old fixture from the ceiling, including the old mounting strap.

3. Place Mounting Strap (B) over the junction box. 4. Attach Mounting Strap (B) to the junction box using the two Mounting Screws (A). Tighten the screws securely using a screw driver.

CONNECTING THE WIRES (Fig. 2)

5. Attach the power supply wires to the fixture lead wires by connecting BLACK to BLACK (or SMOOTH) and WHITE to WHITE (or RIBBED). 6. Attach the GROUND wire (GREEN or COPPER) from the junction box and the fixture Ground wire to the green Ground Screw on Mounting Bracket (A) or connect both wires together using the correct size of wire connectors. NOTE: Twist the wires together in the same direction that you twist the wire connectors onto the wires.

7. Tuck these wire connections neatly into the Junction Box.

FINISHING THE INSTALLATION (Fig. 3)

8. Raise the assemble light fixture to the wall so that it covers the junction box. 9. Line the screw holes up on both sides of Mounting Strap (A) with the holes of the fixture's backplate. 10. Secure the backplate of the light fixture to the junction box using the four small screws. Tighten the screws securely using a screw driver. Secure Finial (D) by twisting until tight.

YOUR INSTALLATION IS NOW COMPLETE.

RETURN POWER TO THE JUNCTION BOX AND TEST THE FIXTURE.

Fig. 1

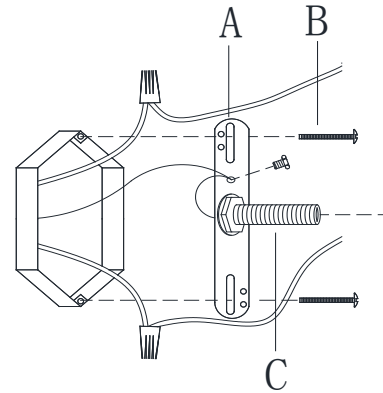


Fig. 2

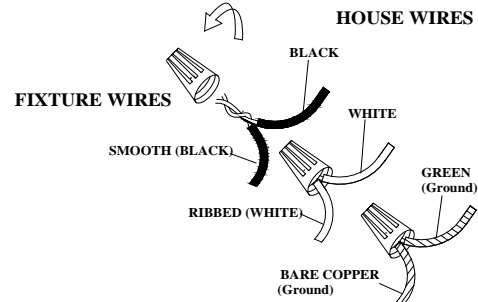


Fig. 3

